

JH Solar

Tirana grid energy storage



Overview

Modern energy storage systems are smarter than that. With AI-driven management (yes, algorithms are now moonlighting as energy brokers), these systems predict usage patterns. A 2024 study showed smart storage reduced energy waste by 37% in Tirana's Bloku district.

Tirana grid energy storage

ESS



List of Tirana power generation and energy storage projects

Tirana grid energy storage MITEI's three-year Future of Energy Storage study explored the role that energy storage can play in fighting climate change and in the global adoption of clean ...

Tirana Smart Energy Storage Battery Application: Powering the ...

A bustling city where traffic lights never flicker during peak hours, hospitals maintain uninterrupted power during outages, and solar panels feed excess energy into ...

INTEGRATED DESIGN

EASY TO TRANSPORT AND INSTALL,
FLEXIBLE DEPLOYMENT



Tirana's Energy Storage Revolution: Powering the Future ...

Tirana, Albania's vibrant capital, is literally charging up. With rolling blackouts becoming as outdated as flip phones, the city is betting big on energy storage solutions to keep ...

TIRANA ENERGY STORAGE SYSTEM

The Tirana Era Energy Storage Disassembly project offers fascinating answers. With cities worldwide adopting renewable energy solutions,

understanding the decommissioning phase ...



Tirana grid energy storage technology

Tirana grid energy storage technology allows to store energy for later use. A battery energy storage system (BESS) is an electrochemical device that charges (or collects energy) from the grid or a ...

Tirana Energy Storage Battery Use: Powering Albania's Capital ...

Why Tirana Can't Afford to Ignore Battery Storage Solutions You know how people say "energy doesn't lie"? Well, Tirana's electricity bills tell a sobering story. With energy demand growing ...



Tirana ERA Energy Storage 2025GW: Powering Albania's ...

Albania's electricity grid currently loses 18% of generated power during transmission - equivalent to powering 300,000 homes annually. With the Tirana ERA project targeting 2025GW capacity, ...

The Tirana Power Storage Project: Powering Albania's Energy ...

Why Google's Algorithm Will Love This Story Here's the juice - the Tirana project ticks every SEO box. We're talking cutting-edge terms like " virtual power plants " and " grid flexibility " paired ...

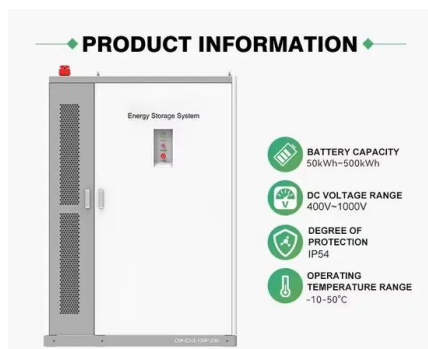


Energy Storage in Tirana: Powering Albania's Capital Toward a

AI-powered energy management systems predicting usage patterns Grid 2.0: How Storage Enables Smarter Energy Use Tirana's grid is getting a tech makeover worthy of ...

Tirana era energy storage grid

The effect of energy storage on the grid load profile. If there is sufficient storage on the grid, it can be used to regulate the grid in place of intermediate and peak generation. In the example ...



Tirana Era Mobile Energy Storage: Power Where You Need It

Cue the awkward smartphone flashlights. Now imagine if event organizers had brought mobile energy storage equipment instead of relying on shaky grid connections. That's the Tirana Era ...

Why Tirana's 2025 Energy Storage Targets Are a Game-Changer ...

The Adriatic Energy Corridor (launched March 2025) enables Tirana to trade surplus storage capacity with neighboring grids. During a trial last month, Albanian batteries supplied 200MWh

...

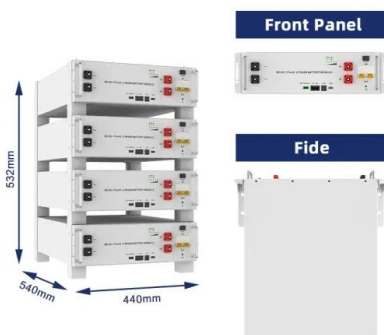
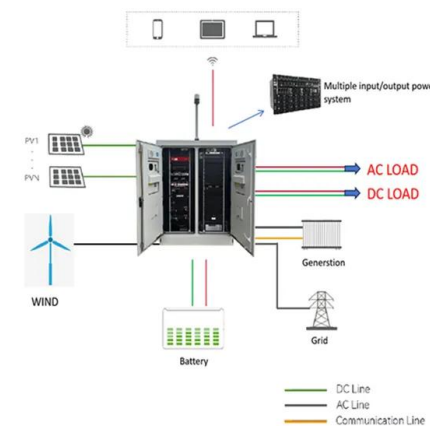


The Role of Energy Storage in the Tirana Era: Powering a ...

When the Grid Gets Smart Remember that time Tirana's traffic lights went rogue during a football match? Modern energy storage systems are smarter than that. With AI-driven ...

Energy Storage Systems in the Tirana Era: Powering the Future ...

A bustling café in Tirana serving espresso brewed entirely by solar energy stored overnight. That's the magic of modern energy storage systems (ESS) - and Tirana is racing to adopt them.



TIRANA ENERGY STORAGE PROJECT

Tirana Grid Energy Storage Power Station: Powering Albania's Energy Future Let's face it - when you hear "Tirana Grid Energy Storage Power Station," your first thought might be "Cool tech, ...

World Energy Storage in Tirana: The Catalyst for Renewable Energy

Why Tirana's Energy Storage Push Matters Now
 As of March 2025, Tirana's municipal grid has recorded 47 voltage fluctuation incidents this quarter alone--a 22% increase from 2024. This ...

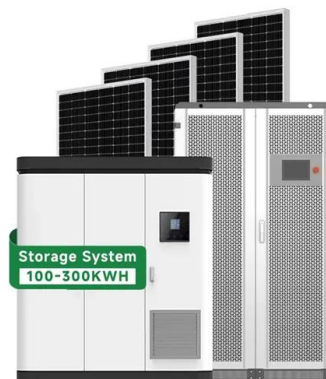


Tirana Times Energy Storage President: Powering Tomorrow's Grid ...

As Tirana's Energy Storage President recently quipped at a summit: "We're not just storing electrons - we're storing economic potential." And with 300+ storage projects underway across ...

[tirana grid energy storage company](#)

10 New Grid Energy Storage Companies , StartUs Insights Gain data-driven insights on Grid Energy Storage, an industry consisting of 3K+ organizations worldwide. We have selected 10 ...



The Tirana Era in Energy Storage: What You Need to Know

We're not there yet, but the Tirana era in energy storage is pushing us closer than ever. Named after breakthrough research from Tirana University's 2021 solid-state battery project, this phase ...

Tirana Energy Storage Battery Use: Powering Albania's Capital ...

With energy demand growing 7% annually since 2022 [1], Albania's capital faces a perfect storm of aging infrastructure and climate commitments. But here's the kicker - their current grid can ...



Energy Storage Summit Tirana: Powering the Future of the Balkans

Why This Summit Matters for Albania's Energy Landscape a room in Tirana buzzing with innovators debating whether lithium-ion batteries or flow batteries will dominate ...

Tirana energy storage grid

Electrical energy is stored during Tirana times industrial energy storage Trina Storage releases 4.07 MWh energy storage system. Trina Storage, a unit of Chinese module manufacturer Trina ...

Our Lifepo4 batteries can be connected in parallels and in series for larger capacity and voltage.



Tirana Times Energy Storage Plant Site: Powering Albania's ...

Why the Tirana Energy Storage Project Is Making Headlines a 330-million-euro battery quietly humming near Albania's capital, storing enough electricity to power 70,000 ...

Tirana Times Energy Storage Battery Project: Powering Albania's

Why This Energy Storage Project Matters to Albania Ever wondered how a city keeps the lights on when the sun isn't shining? Enter the Tirana Times Energy Storage Battery ...



New Energy Storage in Tirana: Powering Albania's Sustainable

...

The road ahead's not without potholes, but Tirana's energy transition is picking up speed. With storage costs projected to drop another 40% by 2027, the city could become a model for

...

Tirana CRRC Energy Storage: Powering the Future with Smart ...

Why Tirana CRRC Energy Storage Matters Now More Than Ever Imagine your smartphone battery, but scaled up to power an entire city. That's essentially what Tirana CRRC ...



tirana power grid energy storage equipment

How residential energy storage could help support the power grid ... How residential energy storage could help support the power grid. Household batteries could contribute to making the ...

The Tirana Era in Energy Storage: What You Need to Know

Why the Tirana Era Matters for Energy Storage a world where solar panels work at midnight and wind turbines store hurricane energy for calm days. We're not there yet, but the Tirana era in ...



Tirana Era: The Spark Igniting Albania's Energy Storage Revolution

Why Tirana's Energy Storage Boom Should Be on Your Radar While sipping your morning macchiato in a Skanderbeg Square café, the lights suddenly flicker. Sound ...

Tirana Era Energy Storage Battery: Claiming Its Global Share

Real-World Wins That'll Make You Nod Respectfully California's Moss Landing Storage Facility reduced grid strain by 40% using Tirana's modular battery stacks A solar farm in Chile's ...



Tirana Times in Energy Storage: Powering the Future, One ...

Let's face it: energy storage isn't exactly the sexiest topic at dinner parties. But in Tirana, where solar panels are popping up faster than espresso stands, it's become the talk ...

Tirana ERA Energy Storage 2025GW: Powering Albania's ...

Why Energy Storage Can't Wait in 2025 Albania's electricity grid currently loses 18% of generated power during transmission - equivalent to powering 300,000 homes annually. With the Tirana ...



Contact Us

For catalog requests, pricing, or partnerships, please visit:
<https://www.apartamenty-teneryfa.com.pl>