

JH Solar

Conch cement energy storage technology



Overview

Utilizes the low-grade waste heat from cement production (50°C+) combined with large-scale energy storage, significantly reducing carbon emissions. Couple CO₂ captured from Conch Cement's CCUS line for comprehensive carbon capture, utilization, and storage

Conch cement energy storage technology

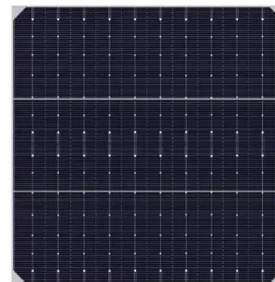


Creating A Future Living Space For Mankind

In 2018, through the cooperation with Dalian University of Technology, Conch successfully implemented a 50,000-ton CO2 capture, collection and purification project in its Baima Mountain Cement Plant. And this project ...

sino-european conch group energy storage battery

Conch Cement invests in photovoltaic energy storage project 8 Minute. On March 8, 2022, according to the announcement of Conch Cement's new energy business investment plan, in ...



Conch Zongyang preheater modernisation project ...

China: The Conch Zongyang Line 4 preheater modernisation project, based on KHD technology, has been selected as a pilot project under the Sino-German Energy Efficiency Improvement ...

(PDF) Analysis of Green Merger: Evidence from Anhui Conch Cement

The cement industry is the current high carbon emission industry, and the Conch Cement

Company Limited as the largest cement production enterprise in China, the obligation ...



Zhangjiagang Conch Cement Energy Storage ...

As a responsible enterprise, Conch Cement adopts the most advanced energy storage system in the industry to create benefits for the enterprise and set a stellar example for society in the efficient use of energy.



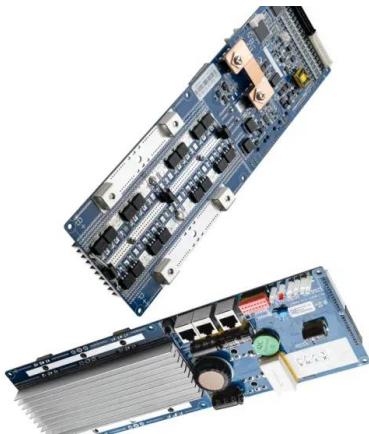
Energy Storage System

CATL's energy storage systems provide energy storage and output management in power generation. The electrochemical technology and renewable energy power generation ...



??????????????

The company's production lines all adopt advanced new dry process cement technology, featuring high output, low energy consumption, high degree of automation, high labor productivity and ...



Zhangjiagang Conch Cement Energy Storage Project (Projekt zur

Zhangjiagang Conch Cement Energy Storage Project (Projekt zur Energiespeicherung von Muschelzement) Contemporary Amperex Technology Co., Limited (CATL) is a global leader in ...



Concrete steps? For China cement giants, monster carbon

...

At its massive Baimashan plant near the Yangtze river in eastern China, cement giant Anhui Conch has invested the best part of \$10 million in new equipment to capture and ...

Energy storage at conch cement plant

On March 8, 2022, according to the announcement of Conch Cement's new energy business investment plan, in 2022, the company will invest 5 billion yuan in the development of new ...

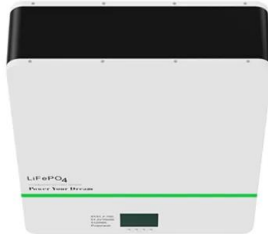


Product applications and technical solutions of Conch Group

It operates and holds three listed enterprises which are Conch Cement, Conch New Material and Conch Environmental Protection, with over 650 subsidiaries all over the world.

Energy storage at conch cement plant

Conch Wuhu, one of Conch China's cement plants, piloted a carbon capture project in 2018 to demonstrate that post-combustion capture technology can be used in a cement plant, with its ...



Creating A Future Living Space For Mankind

In 2018, through the cooperation with Dalian University of Technology, Conch successfully implemented a 50,000-ton CO2 capture, collection and purification project in its Baima ...

Zhangjiagang Conch Cement Energy Storage Project (Projekt zur ...

Zhangjiagang Conch Cement Energy Storage Project (Projekt zur Energiespeicherung von Muschelzement) Contemporary Ampere Technology Co., Limited (CATL) is a global leader in ...



[conch group energy storage company](#)

Previously in August, 2021, Conch Cement acquired Anhui Conch New Energy Co., Ltd. to officially engage in the new energy business. On March 8, the company announced its plan to ...

Conch cement energy storage

About Conch cement energy storage As the photovoltaic (PV) industry continues to evolve, advancements in Conch cement energy storage have become critical to optimizing the ...



Wuhu Conch World's First Carbon Dioxide Energy Storage

...

As the world's first carbon dioxide energy storage demonstration system, the project's grid-connected power generation marks that carbon dioxide energy storage ...

Conch Cement invests in photovoltaic energy ...

On March 8, 2022, according to the announcement of Conch Cement's new energy business investment plan, in 2022, the company will invest 5 billion yuan in the development of new energy businesses such as photovoltaic ...



Energy Storage at Conch Cement Plant: Powering the Future of

Ever wondered how a cement plant could double as a giant battery? At Conch Cement Plant in Anhui Province, China, they're turning kiln exhaust into kilowatt-hours through thermal energy ...

ELECTROCHEMICAL CEMENT STORAGE

Conch Cement Energy Storage: The Future of Sustainable Power Solutions Let's cut to the chase: if you're reading this, you're probably wondering how conch cement energy storage ...

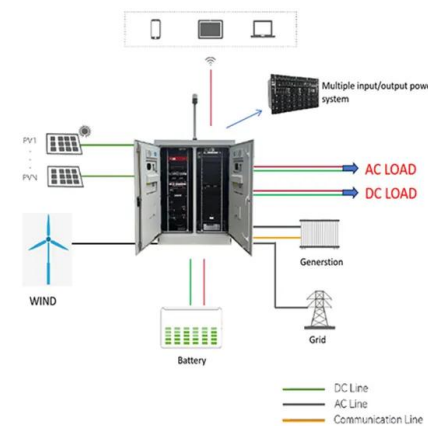


Cement Net Exclusive: Conch Cement Green Low Carbon Technology

On October 24, the "2024 China Cement Double Carbon Conference and the 12th Energy Conservation and Environmental Protection Technology Exchange Conference" was held in ...

Accelerating the decarbonization of cement in China

Research on carbon emission reduction policy and technology for the cement industry is crucial for China to achieve its overall climate targets, and sub-national implementation plans for reducing the ...



Cement Network Exclusive: Conch Cement Vigorously Develops New Energy

As of August 2024, Conch Cement has built 27 state-level green factories and 44 green mines. In addition, Conch Cement vigorously develops photovoltaic, wind power, ...

ELECTROCHEMICAL CEMENT STORAGE

As renewable energy adoption skyrockets, the gravity storage vs pumped hydro storage showdown has become the ultimate "storage wars" battle. Let's dig into these heavyweight ...



China starts CCUS focus

CBMA plans to adapt and scale up the technology to enable parent company CNBM, the world's largest cement producer, to install CCUS throughout its portfolio of Chinese ...

Conch energy storage power station

The money will go into solar power stations and energy storage projects at its various plants, with the aim of going fully green, the firm said, without going into further detail.



Carbon capture is a loss-maker for Anhui Conch

Anhui Conch has invested US\$10m in carbon capture equipment at its Baimashan plant near the Yangtze river in eastern China. The pilot carbon capture and storage ...

Projet de stockage d'énergie Conch Cement de Zhangjiagang

Projet de stockage d'énergie Conch Cement de Zhangjiagang
Contemporary Amperex Technology Co., Limited (CATL) is a global leader in the development and manufacturing of lithium-ion ...



CATL and Conch Group Join Hands to Promote the Green ...

Among these, Anhui Conch Cement has earned a stellar reputation, often referred to as "the benchmark for the global cContemporary Amperex Technology Co., Limited (CATL) ...

Contact Us

For catalog requests, pricing, or partnerships, please visit:
<https://www.apartamenty-teneryfa.com.pl>