

JH Solar

Central south institute energy storage bidding



Central south institute energy storage bidding



Energy storage system bidding, the threshold is getting higher ...

Overall, the bidding market is raising safety standards for energy storage systems. Industry insiders believe that this trend reflects the market's urgent need for high ...

Energy Storage Bidding Technical Specifications: What You ...

Let's face it--energy storage isn't exactly the sexiest topic at dinner parties. But when it comes to energy storage bidding technical specifications, suddenly everyone's leaning ...



A risk-aware coordinated trading strategy for load aggregators ...

Optimal bidding strategy and profit allocation method for shared energy storage-assisted VPP in joint energy and regulation markets. Applied Energy, 329: 120158.



xiaoxi energy storage project bidding information

Bidding structures to accommodate renewables in electricity This bidding structure's central idea

is to put the burden of market participants'' physical limits on the market operator by letting ...



Central Southern China Electric Power Design Institute

Central South Electric Power Design Institute Co., Ltd. of China Power Engineering Consulting Group (formerly Central South Electric Power Design Institute of China Power Engineering ...

Service-Central-South Architectural Design Institute

Service Architectural Design As a large-scale and well-known comprehensive architectural design institute, the company is capable to undertake architectural design businesses of all kinds.



India tendered 'record' 70 GW of renewables in FY 2024

India invited bids to set up 69.8 GW of renewable energy capacity, far surpassing the annual bidding target of 50 GW. The bidding activity surged due to large-scale potential for ...

Energy Storage RFP, bids and Government Contracts

In addition to bid information, we offer in-depth Energy Storage market research, procurement analysis, historical archives, bid consultancy services, and insights into top ...



Capital Air Energy Storage Project Bidding: Trends, Challenges

Who Cares About CAES Bidding? (Spoiler: Everyone) If you've ever wondered how cities keep lights on during peak hours without burning fossil fuels, capital air energy storage project ...

Bidding Opportunities

A wide range of procurement portals and resources are available to diverse and small companies seeking to do business with public, quasi-public and other customers.



Light Metal Metallurgy-?????????????

Institute of Light Metals and Industrial Electrochemistry (ILMIE) is a research institute under the direct administration of School of Metallurgy and Environment in Central South University. ...

Central Southern China Electric Power Design ...

Central Southern China Electric Power Design Institute , 96 followers on LinkedIn. ?????,????? , Central South Electric Power Design Institute Co., Ltd. of China Power



ENERGY STORAGE

The Department has launched the third bid round under the Battery Energy Storage Independent Power Producers Procurement Programme (BESIPPPP), calling for 616 MW of new generation capacity ...

Bids received for Bid Window 3 of battery storage ...

South Africa's Ministry of Electricity and Energy has announced the list of bids received for Bid Window 3 of the Battery Energy Storage Independent Power Producers Procurement Programme ...



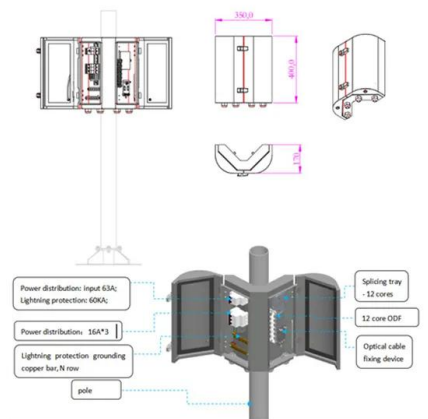
Strong central government push drives India's renewable energy ...

Large-scale renewable energy projects in India have been the focus of intense interest from both domestic and international players, as evidenced by tender issuances ...

Bidding strategy and economic evaluation of energy storage

...

Energy storage systems (ESSs) can smooth loads, effectively enable demand-side management, and promote renewable energy consumption. This study developed a two ...



Overview of China's New Energy Storage Market

Bidding: According to the EESA database, a total of 2,465 new energy storage bidding announcements were tracked throughout 2024, representing a total scale of 126.1 GW / 368.2 ...

Optimal bidding strategy for price maker battery energy storage

This study presents a novel methodology to address bi-level optimization challenges, specifically targeting Battery Energy Storage Systems (BESSs) in competitive ...



Standard 20ft containers



Standard 40ft containers

Professor Liu Suqin's research group from the School of ...

The bidding announcement shows that CNNC Huineng Co., Ltd. will purchase a total capacity of 5.5GWh of energy storage systems for its new energy project from 2022 to 2023, divided into ...

South Korea: Government tenders central contracts for ...

The Ministry of Trade, Industry and Energy (MOTIE) of South Korea will host a competitive solicitation for battery storage capacity in two locations. The government ministry ...



Terna allocates 43 GW in Italian capacity market auction for 2027

On Feb. 26 Terna announced the results of its capacity market auction, allocating 43 GW for the delivery year 2027, for more than EUR1.847 billion. Industry insiders ...

CNESA Global Energy Storage Market Tracking

In the first three quarters of 2024, the bidding volumes for battery systems, energy storage systems, and EPC projects all exceeded the same period of 2023 in terms of energy capacity.



The standalone energy storage market in India , IEEFA

Standalone Energy Storage Systems (ESS) are rapidly emerging as a key market, with 6.1 gigawatts of tenders issued in the first quarter of 2025 alone, accounting for ...

Energy Storage Systems (ESS) Projects and Tenders

5 ???· Search English ?????? ???? ?????
GOVERNMENT OF INDIA ???? ??? ?????????? ??????
????????? MINISTRY OF NEW AND RENEWABLE
ENERGY Home About Us ...

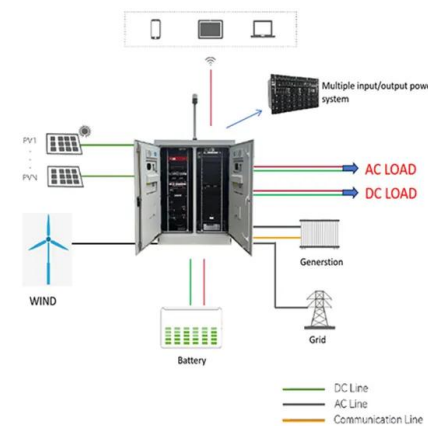


Successful energy storage bid optimisation in ERCOT and CAISO

Equally critical is the alignment of bid optimisation strategies with the capabilities of battery storage assets. In energy markets like ERCOT, characterised by high volatility, the ...

Brazil launching auction for battery storage projects in 2025

Since Chile passed a major energy storage bill, gigawatts of energy storage co-located with solar PV are being built in the country. Earlier this year the country opened a ...

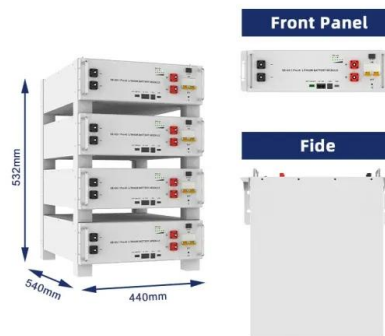


H1 Energy Storage Bidding Surges by 150%, Central and State ...

Central and state-owned enterprises lead energy storage tender demand, with CRRC Zhuzhou Institute, Xinyuan Zhichu, and HyperStrong ranking top three in awarded capacity.

Saudi Arabia: Bidders revealed for 8GWh battery ...

It includes big names from the Middle East region and overseas, such as Dubai-headquartered Masdar and Saudi Arabia's ACWA Power, France's EDF and TotalEnergies, and major players in renewable ...



China electric power research institute energy storage container bidding

Who provides energy storage & wind power in China? Project engineering, procurement, and construction (EPC) was provided by Nanjing NR Electric Co., Ltd., while the project's container ...

Xijiang chemical energy storage project bidding

According to statistics from the CNESA global energy storage project database, by the end of 2019, accumulated operational electrical energy storage project capacity (including physical ...



The current development of the energy storage industry in ...

...

This research is qualitative, not quantitative research, and focuses on "energy storage" as being among the 4 main axes of energy creation, energy saving, energy storage, ...

Central South University

NEWS MORE NEWS Happy 110th Birthday,
Xiangya School of Medicine, CSU! Béla Merkely,
Rector of Semmelweis University in Hungary,
Appointed as Honorary Professor of CSU



Contact Us

For catalog requests, pricing, or partnerships, please visit:
<https://www.apartamenty-teneryfa.com.pl>