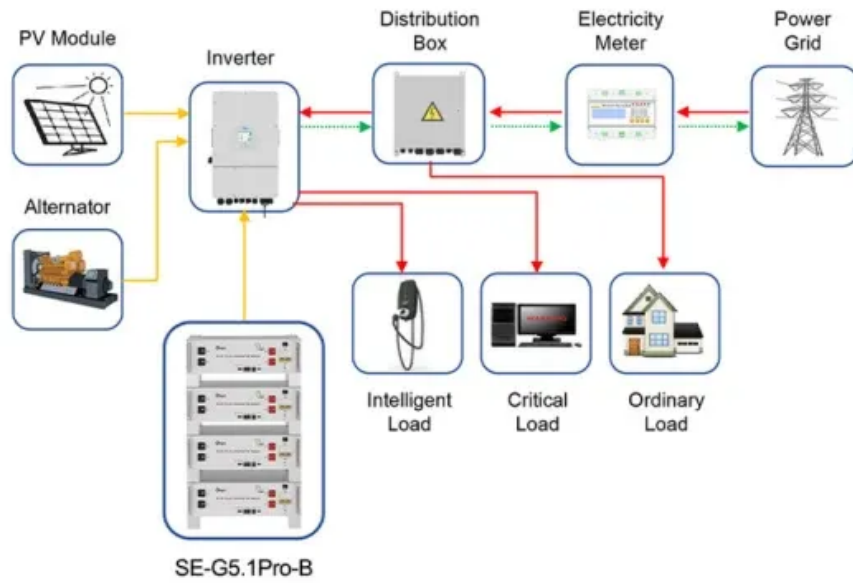


JH Solar

A-shares involved in energy storage



Application scenarios of energy storage battery products



Overview

Energy storage systems are increasingly in demand to increase the effectiveness of solar power arrays, with the Energy Information Administration estimating in February that new utility-scale electric-generating capacity on the U.S. power grid will hit a record in 2025 after a 30% increase over the.

Energy storage systems are increasingly in demand to increase the effectiveness of solar power arrays, with the Energy Information Administration estimating in February that new utility-scale electric-generating capacity on the U.S. power grid will hit a record in 2025 after a 30% increase over the.

Read on to learn about some of the top energy storage stocks on the market and why you should consider investing in them. As the world shifts towards renewable energy, investment in energy storage stocks is becoming increasingly important. Energy storage systems can store excess energy from.

Exposure to energy storage solutions: Gain targeted exposure to global companies involved in providing energy storage solutions, including batteries, hydrogen, and fuel cells. 2. Pursue mega forces: Seek to capture long-term growth opportunities with companies involved in the transition to a.

But in 2025, China's A-share energy storage sector has become the rockstar of stock markets, making even crypto bros do double takes. The numbers don't lie: China now commands 60% of global lithium-ion battery production [7], and the domestic energy storage market is growing faster than a Tesla's.

As industries across sectors are increasingly integrating renewable energy into their operations, a significant surge in demand for efficient and scalable energy storage solutions has been observed over the past decade. This is because battery technologies help store surplus power generated during.

Finally, let us start the countdown of the best energy storage stocks to consider. From our research and hours of data analysis, we have come up with

the following top energy companies: 1. Tesla Motors Tesla may be known for its high-end vehicles, including its namesake electric cars. But it comes. What is the broader sector that battery storage stocks belong to?

Battery storage stocks are a subset of the broader energy sector. These stocks are shares in companies that specialize in energy storage solutions through the use of batteries.

What are battery storage stocks?

Battery storage stocks are shares in companies that specialize in energy storage solutions through the use of batteries. These stocks are a subset of the broader energy sector.

What is the iShares energy storage & materials ETF?

The iShares Energy Storage & Materials ETF seeks to track the investment results of an index composed of U.S. and non-U.S. companies involved in energy storage solutions aiming to support the transition to a low-carbon economy, including hydrogen, fuel cells and batteries.

What does an energy storage ETF invest in?

An energy storage ETF invests in companies involved in the energy storage industry. This ETF provides investors with exposure to a diversified portfolio of companies that are involved in the development, production, and distribution of energy storage technologies and solutions.

What are energy storage stocks?

Energy storage stocks are companies that produce or develop energy storage technologies, such as batteries, capacitors, and flywheels. These technologies can store energy from renewable sources like solar and wind power, or from traditional sources like coal and natural gas.

Which energy storage stock is the best?

Tesla is considered the best energy storage stock, thanks to its Megapack product. Tesla warrants its position as the best energy storage stock. NextEra Energy is another notable company in the clean energy sector.

A-shares involved in energy storage



7 Energy Storage Stocks to Invest In , Investing

The prior companies all have pretty specific or proprietary ways to tap into the growth of next-generation energy storage. However, Swiss industrial giant ABB is worth a look as one of the

Which companies are involved in energy storage technology?

1. A myriad of enterprises engage in energy storage technology, including prominent giants such as Tesla, LG Chem, and Panasonic, as well as emerging players like ...



To Strive forward No Energy Waste



- ✓ All in one
- ✓ 100~215kWh High-capacity
- ✓ Intelligent Integration

What industries are involved in energy storage , NenPower

Investment in energy storage technologies has surged in response to the demand for more sustainable energy sources. Large-scale battery storage projects can help ...

Top 10: Energy Storage Technologies , Energy ...

The top energy storage technologies include pumped storage hydroelectricity, lithium-ion batteries, lead-acid batteries and thermal energy storage



Which foreign companies are involved in energy storage batteries

Lithium-ion batteries are prevalent in consumer electronics and electric vehicles due to their high energy density and lightweight properties. Consequently, energy storage ...

Energy Storage Grand Challenge Energy Storage Market ...

Foreword As part of the U.S. Department of Energy's (DOE's) Energy Storage Grand Challenge (ESGC), DOE intends to synthesize and disseminate best-available energy storage data,

...



Which companies are involved in the energy storage industry?

INDUSTRY OVERVIEW The energy storage industry serves as a pivotal component in the overall energy landscape, enabling the balance between energy production ...

The A-Share Energy Storage Industry: Powering China's Green ...

Let's face it - talking about energy storage used to be as exciting as watching battery acid dry. But in 2025, China's A-share energy storage sector has become the rockstar ...

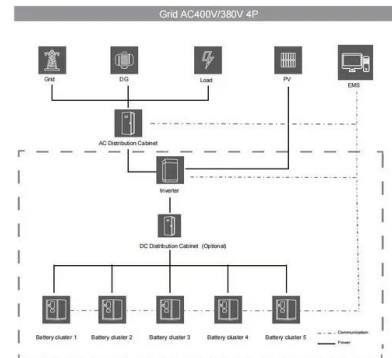


Which companies are involved in energy storage ...

Energy storage chips enable systems to store excess energy generated during peak production times and release it when needed. This capability is vital for maintaining a steady energy supply, allowing ...

Renewable Energy & Battery Storage Stocks to Add to Your ...

As industries are increasingly adopting renewable energy, demand for energy storage solutions is surging. You may consider buying DTE, BEP, BE & STEM.

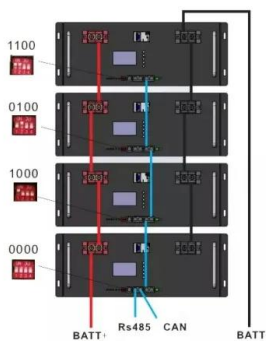


iShares Energy Storage & Hydrogen UCITS ETF , STOR

Provides exposure to the global energy storage and hydrogen industry. Invests in companies that aim to drive the innovation and viability of energy storage and hydrogen economy solutions; ...

Top Green Energy Stocks in India (2025)

Green Energy Stocks represent shares of companies involved in renewable energy sectors such as solar, wind, hydro, and bioenergy. These companies focus on producing clean energy, ...



Top 10: Energy Storage Companies , Energy ...

Including Tesla, GE and Enphase, this week's Top 10 runs through the leading energy storage companies around the world that are revolutionising the space Whether it be energy that powers smartphones ...

iShares Energy Storage & Hydrogen UCITS ETF , STOR

The Fund aims to achieve a total return on your investment, through a combination of capital growth and income on the Fund's assets, which reflects the return of the STOXX Global ...



What are the shares of energy storage batteries? , NenPower

1. Differentiation among battery types, 2. Market dynamics impacting share, 3. Key players in the sector, 4. Future trends and innovations. The energy storage battery market ...

Which companies are involved in energy storage engineering?

Moreover, the complexity of energy storage engineering necessitates interdisciplinary collaboration. Engineering expertise, regulatory insights, and market ...



Electric Energy Storage Technology in A-Shares: The Power ...

As the sector evolves faster than a TikTok trend, one thing's clear - in China's energy transition, storage isn't just the backup singer anymore. It's the headliner, the roadie, and the ...



5 Best Energy Stocks to Buy in 2025 , The Motley ...

Get a list of the most promising stocks in the energy sector. From oil and gas to solar and renewable power, your portfolio may benefit from energy investments.



Which companies are involved in ocean energy storage projects?

Moreover, the advancements in energy storage systems are pivotal in optimizing the efficiency of ocean energy solutions. The inherent variability in ocean energies, such as ...

An updated review of energy storage systems: ...

In this manuscript, a comprehensive review is presented on different energy storage systems, their working principles, characteristics along with their applications in distributed generation power system. The ...



[US iShares Template](#)

Fact Sheet as of 31-Mar-2025 The iShares Energy Storage & Materials ETF seeks to track the investment results of an index composed of U.S. and non-U.S. companies involved in energy ...

iShares Energy Storage & Hydrogen UCITS ETF , STOR

The Fund aims to achieve a total return on your investment, through a combination of capital growth and income on the Fund's assets, which reflects the return of the ...



Which companies are involved in Foster's energy storage project?

1. KEY CORPORATE PARTICIPANTS In the realm of energy storage initiatives, certain companies stand out due to their substantial investment and involvement in the Foster ...

12 Best Energy Storage Stocks to Buy in 2025

This ETF provides investors with exposure to a diversified portfolio of companies that are involved in the development, production, and distribution of energy storage ...



Which companies are involved in energy storage facility ...

1. A variety of organizations engage in the construction of energy storage facilities, including major companies, specialists in renewable energy, and emerging tech ...

Which stocks are involved in energy storage? , NenPower

Energy storage stocks encompass various companies including manufacturers of batteries, developers of storage systems, and renewable energy sectors. Companies such ...

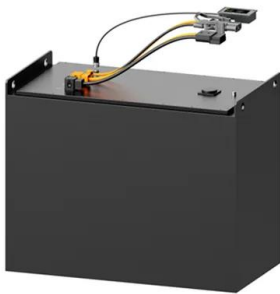


The 13 Best Energy Storage Stocks To Buy For August 2025

The iShares Energy Storage & Materials ETF seeks to track the investment results of an index composed of U.S. and non-U.S. companies involved in energy storage ...

Which stocks are involved in energy storage? , NenPower

1. Energy storage stocks encompass various companies including manufacturers of batteries, developers of storage systems, and renewable energy sectors. ...



iShares Energy Storage & Materials ETF

Investment advisor: BlackRock Fund Advisors
Launch date: March 19, 2024 Expense ratio: 0.47% Investment objective: The fund seeks to track the investment results of an index composed of U.S. and non-U.S. ...

Contact Us

For catalog requests, pricing, or partnerships, please visit:
<https://www.apartamenty-teneryfa.com.pl>