

JH Solar

300kw energy storage power supply



Overview

What is a 300 kWh battery system?

300kWh battery system is medium and large-scale energy storage solution, widely used in industry, business. For example: building groups, pumped storage power stations, power auxiliary energy storage, microgrid systems, data center backup power, waterpower generation energy storage and so on. how can solar energy be stored?

.

What is a 50kw-300kw lithium energy storage system?

A 50KW-300KW lithium energy storage system consists of 48-volt modules with capacities ranging from 100Ah to 400Ah. These systems can be paralleled up to 14 units if a larger battery storage system is required.

What is included in a complete 300KVA solar power plant?

A complete 300kva 300kW solar power plant includes the following configurations: Optional solar mounting support, PV combiner boxes, and cables. PVMARS provides a complete turnkey solar energy storage system solution. After we complete production, the system delivered to you can be used immediately after connections are made.

How much power does a 300w power supply use?

Add all your stuff up, power supplies spike on startup for a few seconds and give their max rated power only for that short time, sometimes even a little more. Normally, a 300W runs at about 200W-230W once the machine is up and running. Ran across this interesting article regarding a dual ATX Power Supply setup.

What is a powerease 300w power supply?

description27BIntroductionThe PowerEase® 300W Power Supply is a

microprocessor-controlled power supply designed to meet most electrophoresis needs in a single easy to use unit. The power supply's small foot print and stacking feature to serve valuable bench space. This instrument is ideal for DNA/RNA electrophoresis.

What kind of battery does a 300kW solar plant use?

The gel battery of this 300kW solar plant is designed with 180pcs 2v2000ah batteries with a total capacity of 720kWh. In addition, PVMARS also offers lithium battery options. If your installation location is limited and you want more power, our small-volume 720kWh lithium battery is also an excellent choice.

300kw energy storage power supply

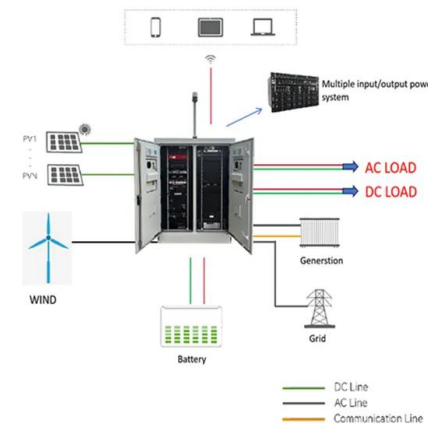


50 to 200kW Battery Energy Storage Systems

Discover the MEGATRON Series - 50 to 200kW Battery Energy Storage Systems (BESS) tailored for commercial and industrial applications. These systems are install-ready and cost-effective, ...

200kw 300kw 500kw on-Grid/off-Grid Three Phase Bidirectional Energy

200kw 300kw 500kw on-Grid/off-Grid Three Phase Bidirectional Energy Storage Inverter for Flow Batteries, Find Details and Price about Bidirectional Power Inverter Power Supply from 200kw ...



Energy Container 200kVA/300kWh -Power storage and supply

The 200kVA/300kWh energy container, when connected to the grid, can offer additional power thanks to its energy storage system in lithium-ion batteries. This technical device controls the ...

Solar Energy Storage Container System 1Mwh 300 Kwh 500Kwh ...

Cheap high-quality Solar Energy Storage Container System 1Mwh 300 Kwh 500Kwh Off grid Solar PV Power System Supply wholesale. OEM/ODM. Price Quotation. Get bulk high-quality ...



300kwh Battery Energy Storage System for Farm Greenhouse

Energy Storage Capacity: This system offers a range of battery capacities (75kWh, 150kWh, 225kWh, and 300kWh) to cater to different energy needs, ensuring optimal energy storage and ...

What Does Green Energy Storage Cost in 2025?

In 2025, you're looking at an average cost of about \$152 per kilowatt-hour (kWh) for lithium-ion battery packs, which represents a 7% increase since 2021. Energy storage systems (ESS) for four-hour durations exceed ...

12.8V6Ah

- Nominal voltage (V):12.8
- Nominal capacity (Ah):6
- Rated energy (Wh):76.8
- Maximum charging voltage (V):14.6
- Maximum charging current (A):6
- Floating charge voltage (V):13.6-13.8
- Maximum continuous discharge current (A):10
- Maximum peak discharge current @10 seconds (A):20
- Maximum load power (W):100
- Discharge cut-off voltage (V):10.8
- Charging temperature (°C):0-+50
- Discharge temperature (°C):-20-+60
- Working humidity: <95% R.H (non condensing)
- Number of cycles (25 °C, 0.5c, 100%doD): >2000
- Cell combination mode: 32700-4s1p
- Terminal specification: T2 (6.3mm)
- Protection grade: IP65
- Overall dimension (mm):90*70*107mm
- Reference weight (kg):0.7
- Certification: un38.3/msds



30kw 50kw 100kw 300kw Energy Storage 3 Phase Solar Hybrid ...

The BNSX series bidirectional energy storage inverter serves as an electrical interface between the power grid and energy storage devices, with the main function and role of achieving ...

40kw 1000V AC DC Power Module EV Charging ...

Core features The REG1K0135A2 40kw AC DC charger module is the inner power module for DC charging stations (piles), and convert AC and DC energy into DC in order to charge vehicles. The charger module takes a 3 ...



300KW Battery Energy Storage System

A BESS operates by storing excess energy produced during times of high production and supplying it during times of low production or high demand. BESS can help to balance a power grid and ensure a reliable supply of ...

DESIGN, SUPPLY, INSTALLATION, TESTING, AND ...

...

DESIGN, SUPPLY, INSTALLATION, TESTING, AND COMMISSIONING OF 300 KW SOLAR PV POWER PLANT WITH 430 KWH ENERGY STORAGE SOLUTION FOR NATIONAL ...



SigEnergy , SigenStor 300kW Package , Sigen 5-in-1 Energy

...

Designed for unmatched efficiency and reliability, this cutting-edge system is perfect for commercial applications, delivering seamless solar energy capture, effortless storage, and a ...

Commercial ESS 150kW/300kWh - EnSmart Power

Power up your business with the SmartESS 150 kW/300 kWh energy storage solution. Efficient, scalable, and reliable. Order from EnSmart Power today.

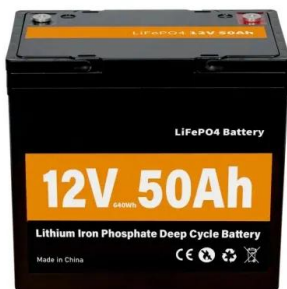


300kwh Energy Storage Power Supply Solar ...

Shanghai Elecnova Energy Storage Co., Ltd. is a technology-based enterprise who focus on overall solutions for energy storage systems. Our company have the overall supporting capability for the system integration ...

300kVA 300kW Solar Power Plant And Price

PVMARS provides a complete turnkey solar energy storage system solution. After we complete production, the system delivered to you can be used immediately after ...



Battery Energy Storage Systems for Sale , 211

We offer a range of 50Hz, 3 phase Battery Energy Storage Systems (BESS) with capacities from 211 to 2280 kWh from major global power solution equipment manufacturers.

50KW 100KW 300KW 500KW 1MW Hybrid Solar Power System ...

50KW 100KW 300KW 500KW 1MW Hybrid Solar Power System With Lithium Battery Energy Storage Solar System Application Home, Commercial, Industrial Solar Panel Type ...



200kw 300kw 500kw on- Grid/off-Grid Energy Storage Inverter ...

Product Description Product Description Product Overview The BNSX series bidirectional energy storage inverter serves as an electrical interface between the power grid and energy storage ...

Containerized Energy Storage System 300 kW

The Containerized Energy Storage System uses standard battery modules, PCS modules, BMS, EMS and other systems to form standard containers to build large-scale grid-side energy storage projects. The standardized 20ft ...



HONLE NEW ENERGY

This project in Yangon, Myanmar, was implemented at a textile factory with a total capacity of 300kW/645kWh, using three parallel-connected 100kW/215kWh energy storage units. Built ...

Solar Energy Storage Container 1mwh 300 Kwh 500kwh Off Grid ...

Cheap high-quality Solar Energy Storage Container 1mwh 300 Kwh 500kwh Off Grid Solar Pv Power System Supply wholesale. OEM/ODM. Price Quotation. Get bulk high-quality Solar ...



300kwh Energy Storage System

We're professional 300kwh energy storage system manufacturers and suppliers in China, specialized in providing high quality products with competitive price. We warmly welcome you ...

Bidirectional Power Converter, Bidirectional Dc Ac ...

Bidirectional Power Converters Adopting three level control technology, Energy Storage Power Conversion System is a high efficiency and reliable performance bidirectional dc dc converter from 300kW up to 600kW for ...



Technologies and economics of electric energy storages in power ...

As fossil fuel generation is progressively replaced with intermittent and less predictable renewable energy generation to decarbonize the power system, Electrical energy ...

Solar Energy Storage Container 1mwh 300 Kwh 500kwh off Grid ...

Solar Energy Storage Container 1mwh 300 Kwh 500kwh off Grid Solar PV Power System Supply, Find Details and Price about Mining Solar Energy Storage off Grid Solar PV Power System ...



Nyy 100kw/300kw/500kw/1000kw Energy Solar PV ...

NYY NESS series is the LFP battery energy storage system .Work with Photovoltaic,wind power,diesel generator,city electricity grid,etc. System Combination :

Large Lithium Ion Battery Container 300KWH ...

Large-scale lithium battery energy storage systems, such as 500kwh, 1mwh, 2mwh, etc., usually store power when the power is surplus, and output the stored power to the grid through the inverter when the power is ...

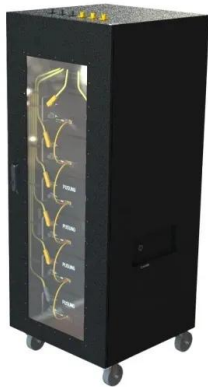
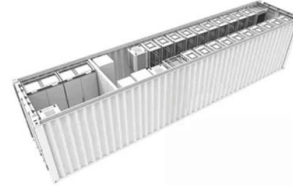


Sunway 300Kw 500Kw 800Kw 1Mw Battery Container Energy ...

Sunway Ess battery energy storage system (BESS) containers are based on a modular design. They can be configured to match the required power and capacity requirements of client's ...

300kw Battery Energy Storage System

We provide professional Lithium Battery, Solar Energy Storage Systems, Containerized ESS, Solar Power System Homes, Commercial and Industrial use, Distributors also. Solar ...



Nyy 100kw/300kw/500kw/1000kw Energy Solar PV Power Supply Energy

NYY NESS series is the LFP battery energy storage system .Work with Photovoltaic, wind power, diesel generator, city electricity grid, etc. System Combination :

200kw 150kw 250kw 300kw Hybrid Solar Power ...

Buy wholesale 150kw 200kw 250kw 300kw complete solar power system kit with battery online. Free Customized Design according to your request.



Contact Us

For catalog requests, pricing, or partnerships, please visit:
<https://www.apartamenty-teneryfa.com.pl>